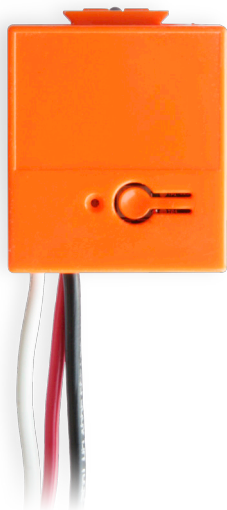




# GPDT15 Pro Wireless Dimming Controller

## Technical Specification Sheet



### Description:

GPDT15 Dimming Controllers work with Levven Controls wire-free switches to wirelessly dim lights or turn devices on and off. Use Levven Controls anywhere in your home or business, including detached garages, gatehouses, exterior lights, barns, and storage buildings. All without running a wire to the switch.

### Installation:

Connect power and the load to the controller. Mount the controller in a junction box or switch box. Pair a Levven Controls switch to the controller to dim or turn the load on and off.

Create a multi-way switch by pairing up to ten different switches to one GPDT15 Dimming Controller. There is no limit to how many controllers a switch can be paired with.

For best wireless reception, release and extend the antenna wire out from the controller's plastic enclosure. For tight spaces, keep the antenna wire in its holder. See [levven.com/support](http://levven.com/support) for further detail.

### Specifications:

Input	85-277VAC, 0.1~1.5A, 50/60Hz
Paired switches	Up to 10 switches
Wireless range	75 m / 250 feet
Radio frequency	900 MHz band
Encryption	128-bit
Color	Blue
Operating temp	-40°C to 50°C
Enclosure rating	Indoor use only
Longevity	65+ years at 15 operations per day

### Load ratings:

Max 1.5A resistive, 1A linear fluorescent ballast, 1/16HP (120V) or 1/10HP (240V) motor.



**INCANDESCENT**  
up to 180W



**CFL**  
up to 120W



**LED**  
up to 120W



**FLUORESCENT**  
up to 64W



**MOTOR**  
up to 1/16HP (120V)  
or 1/10HP (240V)

For loads greater than the above ratings, split the load among multiple controllers. Pair one switch to all the controllers in the group to turn them on and off together.

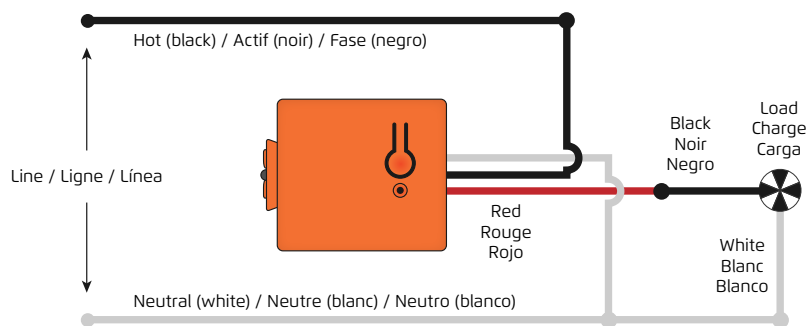
### Physical dimensions:

Length	1.8" (46mm)
Width	1.5" (38mm)
Depth	1.1" (29mm)

Certifications for GPDT15 Dimmer:  
Certified to CSA Std. C22.2 #14  
Conforms to UL 244A & 508  
FCC ID: 2ADH9-G2CF  
IC ID: 12453A-G2CF  
C/US ETL Listed 4010961



### Wiring:



A product by [levven](http://levven.com)

Levven Electronics Ltd  
9741 - 54 Ave  
Edmonton, Alberta T6E 5J4  
Canada

Proudly manufactured in   
Telephone (780) 391-3000  
<http://levven.com>

