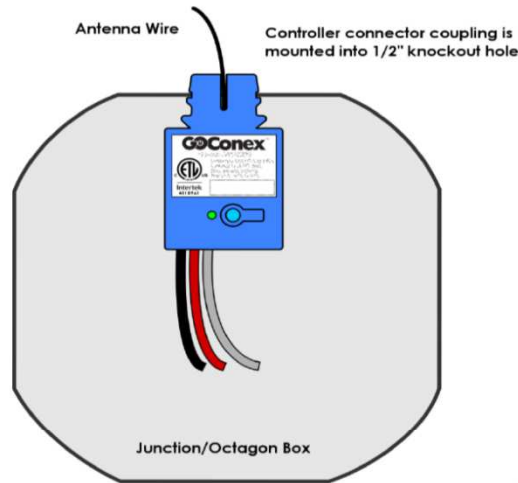


2.0 Product Description				
Product	Wireless Load controller			
Brand name	GoConex / Levven			
Description	The product covered by this report is a permanently connected wireless controller for lighting system. It is intended for household / commercial, indoor dry locations; and installed inside a junction box that supports light fixtures. All products covered in this report must be installed in accordance with local electrical codes.			
Models	Genius Control 10 GC10 Genius Pro Control 10 GPC10 Genius Dimmer 15 GDT15 Genius Pro Dimmer 15 GPDT15 Genius Pro Control 20 GPC20			
Model Similarity	Genius Control 10 and Genius Pro Control 10 are same design and components, the differences are Genius Control 10 is single voltage and Genius Pro Control 10 is dual voltage. Genius Dimmer 15 and Genius Pro Dimmer 15 are same design and components, the differences are Genius Dimmer 15 is single voltage and Genius Pro Dimmer 15 is dual voltage.			
	MODELS	VOLTAGE	CURRENT / LOAD RATING	FREQUENCY
	Genius Control 10 GC10	85 to 125 Vac	120Vac : 10 A resistive load ($\cos\phi = 1$) 5 A (FLA) inductive load ($\cos\phi = 0.4$) 3.3 A tungsten 125 VA pilot duty 1/6 HP motor 125Vac : 10 A resistive load ($\cos\phi = 1$) 1.6 A tungsten 125 VA pilot duty 1/2 HP motor	50 / 60 Hz
	Genius Pro Control 10 GPC10	85 to 250 Vac	120Vac : 10 A resistive load ($\cos\phi = 1$) 5 A (FLA) inductive load ($\cos\phi = 0.4$) 3.3 A tungsten 125 VA pilot duty 1/6 HP motor 125Vac : 10 A resistive load ($\cos\phi = 1$) 1.6 A tungsten 125 VA pilot duty 1/2 HP motor 250Vac : 10 A resistive load ($\cos\phi = 1$) 1/2 HP motor	50 / 60 Hz

2.0 Product Description				
Ratings	Genius Dimmer 15 GDT15	85 to 125 Vac	120Vac : 1.5 A resistive 1.5 A general purpose AC (0.75 to 0.80 power factor) 1 A tungsten-filament, halogen 1 A magnetic ballast or transformer 1 A electronic ballast 1/16 HP motor	50 / 60 Hz
	Genius Pro Dimmer 15 GPDT15	85 to 265 Vac	120Vac : 1.5 A resistive 1.5 A general purpose AC (0.75 to 0.80 power factor) 1 A tungsten-filament, halogen 1 A magnetic ballast or transformer 1 A electronic ballast 1/16 HP motor 250Vac : 1.5 A resistive 1.5 A general purpose AC (0.75 to 0.80 power factor) 1 A tungsten-filament, halogen 1 A magnetic ballast or transformer 1 A electronic ballast 1/10 HP motor	50 / 60 Hz
	Genius Pro Control 20 GPC20	85 to 277 Vac	120 Vac : 20A Resistive Load, 5A Tungsten Load, 15A Ballast Load, 3/4 HP Motor Load 250 Vac / 277 Vac : 20A Resistive Load, 5A Tungsten Load, 15A Ballast Load, 2 HP Motor Load	50 / 60 Hz
Other Ratings	Operating Temperature : -40 to 50 °C			

7.0 Illustrations

Illustration 3 - User Manual model GC10 and GPC10 (continued)



Connect the wires to the Controller

1. Connect the Neutral wire to the white wire on controller
2. Connect the Line/Hot wire to the black wire on controller
3. Connect the Load wire to the red wire on controller

Connect your Controller as per the following wiring diagram:

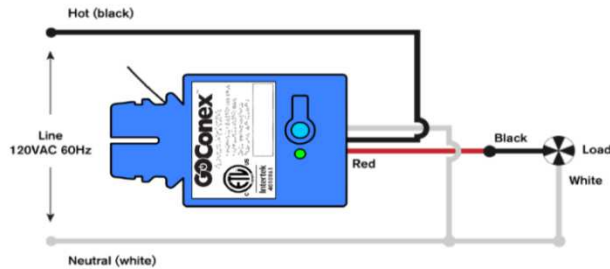
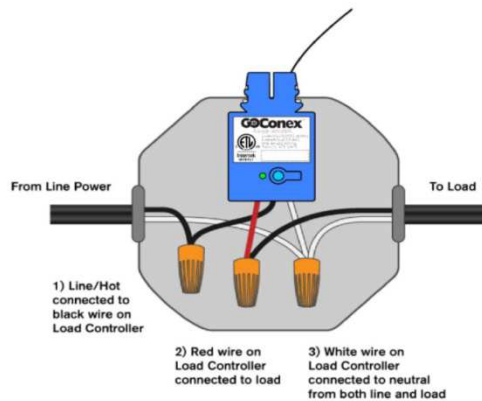


Illustration 4 - User Manual model GC10 and GPC10 (continued)



1.3 Power Your Controller

After you complete your wiring connections, energize the circuit by closing the circuit breaker in your electrical panel.

When powered, the LED status indicator on the Controller will be lit GREEN.

1.4 Ready to Pair the Controller and Switch

7.0 Illustrations

Illustration 5 - User Manual model GPC20

Genius Pro Control 20

Model: GPC20



Illustration 6 - User Manual model GPC20 (continued)

GoConex	User Manual	Genius Pro Control 20	Page 2 of 10
---------	-------------	-----------------------	--------------

1 Installing

How to install a GoConex Controller in a junction box or device box.

1.1 Before You Start

WARNING: TO AVOID FIRE SHOCK OR DEATH; TURN OFF POWER at circuit breaker or fuse and test that power is off before wiring!

Install and/or use GoConex in accordance with local electrical codes and regulations.

The GoConex Controller should be mounted to a listed/certified electrical junction box of suitable size and with 1/2" knockout holes. e.g. 4" x 2 1/8" octagonal box.

If you are unsure about any part of these instructions, consult a qualified electrician.

1.2 Installation

Identify your wires. You need these wires in the junction box:

- Line/hot
- Neutral
- Load (e.g. wire to the electrical load)

Mount the GoConex Controller to the side of your junction box

Push the Controller's connector coupling into one of the junction box's 1/2" knockouts from inside.

When installed, the coupling and antenna wire should be out of the knockout hole.

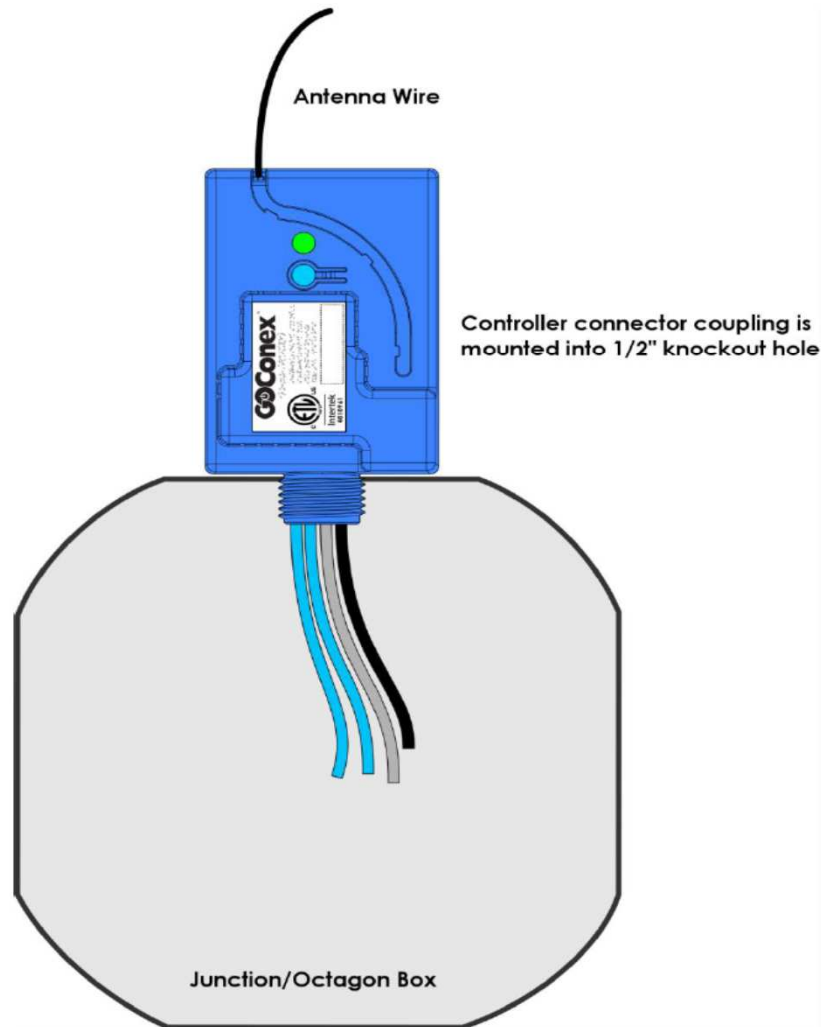
7.0 Illustrations

Illustration 7 - User Manual model GPC20 (continued)

GoConex

User Manual Genius Pro Control 20

Page 3 of 10



Connect the wires to the Controller

1. Connect the Neutral wire to the white wire on controller
2. Connect the Line/Hot wire to the black wire on controller
3. Connect the Load wire to the red wire on controller

Connect your Controller as per the following wiring diagram:

7.0 Illustrations

Illustration 8 - User Manual model GPC20 (continued)

