



GPDT15

Wireless Dimming Controller Technical Specification Sheet



Specifications:

Input	85-265VAC, 0.1~1.5A, 50/60Hz
Paired switches	Up to 10 switches
Wireless range	75 m / 250 feet
Radio frequency	900 MHz band
Encryption	128-bit
Color	Orange
Operating temp	-40°C to 50°C
Enclosure rating	Indoor use only
Longevity	65+ years at 15 operations per day

Physical dimensions:

Length	1.8" (46mm)
Width	1.5" (38mm)
Depth	1.1" (29mm)

Certifications for GPDT15 Dimmer:

Certified to CSA Std. C22.2 #14
Conforms to UL 244A & 508
FCC ID: 2ADH9-G2CF
IC ID: 12453A-G2CF
C/US ETL Listed 4010961



Manufacturer information:

Levven Electronics Ltd
9741 - 54 Ave NW
Edmonton, Alberta, Canada T6E 5J4

Description:

GPDT15 Dimming Controllers work with Levven Controls wire-free switches to wirelessly dim lights or turn devices on and off. Use Levven Controls anywhere in your home or business, including detached garages, gatehouses, exterior lights, barns, and storage buildings. All without running a wire to the switch.

Installation:

Connect power and the load to the controller. Mount the controller in a junction box or switch box. Pair a Levven Controls switch to the controller to dim or turn the load on and off.

Create a multi-way switch by pairing up to ten different switches to one GPDT15 Dimming Controller. There is no limit to how many controllers a switch can be paired with.

For best wireless reception, release and extend the antenna wire out from the controller's plastic enclosure. For tight spaces, keep the antenna wire in its holder. See levven.com/support for further detail.

Load ratings:

Max 1.5A resistive, 1A linear fluorescent ballast, 1/16HP (120V) or 1/10HP (250V) motor.



INCANDESCENT
up to 180W



CFL
up to 120W



LED
up to 120W



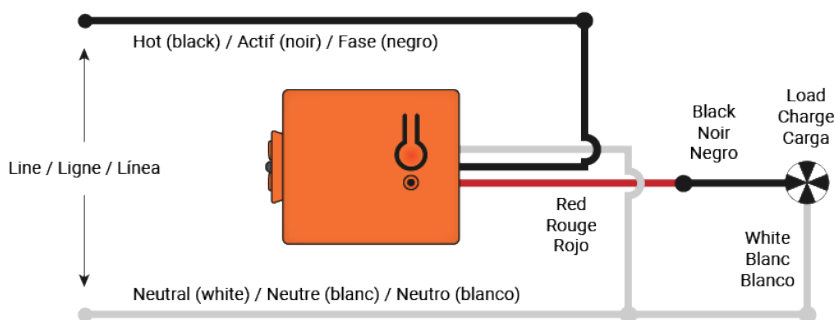
FLUORESCENT
up to 64W



MOTOR
up to 1/16 HP (120V)
or 1/10HP (250V)

For loads greater than the above ratings, split the load among multiple controllers. Pair one switch to all the controllers in the group to turn them on and off together.

Wiring:



Proudly manufactured in

Telephone: +1 (844)-553-8836
Website: www.levven.com

