



Description

GPC10 Controllers work with Levven wire-free switches to wirelessly turn lights on and off. Use Levven devices anywhere in your home or business, including detached garages, gatehouses, exterior lights, barns, and storage buildings. All without running a wire to the switch.

Installation

Connect the power and the load to the controller, then mount the controller in a junction or switch box. Pair a Levven switch with the controller to turn the load on and off. For more detailed instructions, check the user manual.

Specifications:

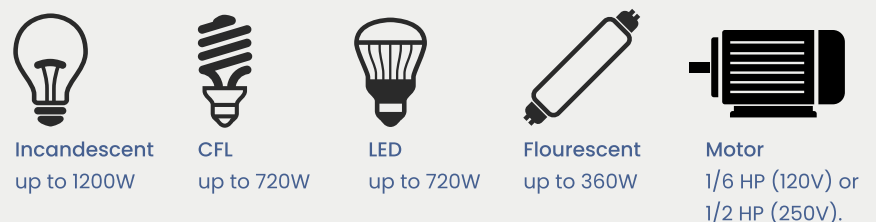
Input	85-250VAC, 0.1-10A, 50/60Hz
Paired Switches	Up to 10 Switches
Wireless Range	75 m / 250 ft
Radio Frequency	900 MHz band
Encryption	128-bit
Color	Blue
Operating temp	-40°C to 50°C
Enclosure rating	Indoor use only

Physical dimensions:

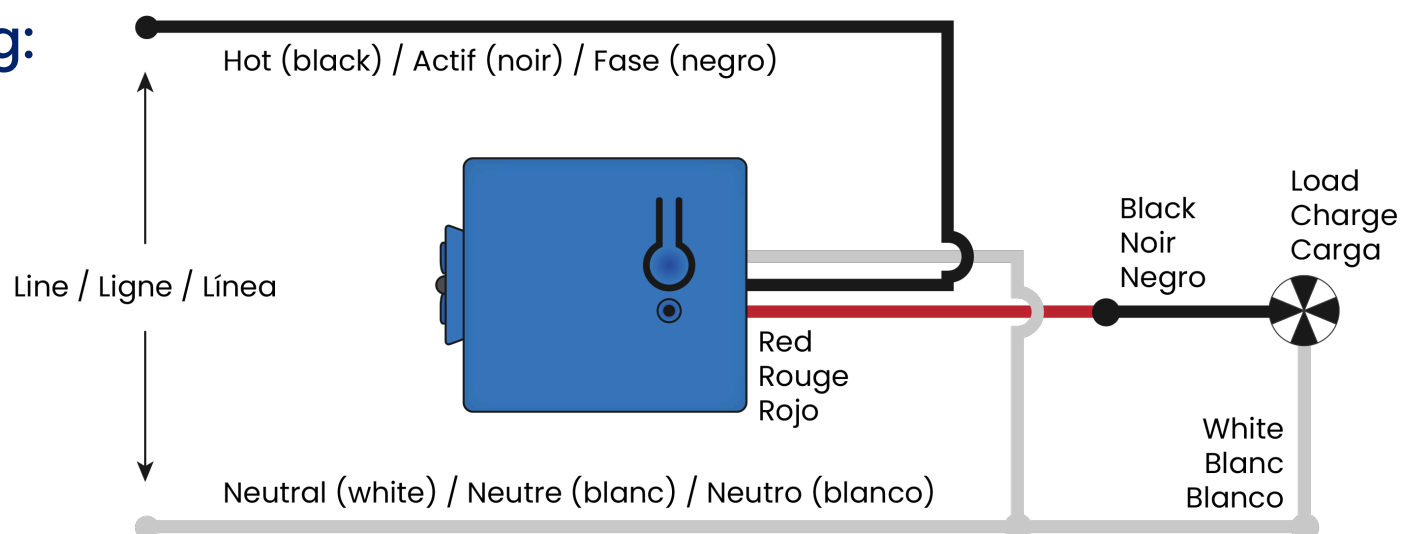
Length	1.8" (46mm)
Width	1.5" (38mm)
Depth	1.1" (29mm)

Load ratings:

Max 10A resistive, 5A linear fluorescent ballast, 1/6 HP (120V) or 1/2 HP (250V) motor.



Wiring:



Certifications for GPC10 Controller:

Certified to CSA STD C22.2 #14
Conforms to UL 244A & 508
FCC ID: 2ADH9-G2CF IC ID: 12453A-G2CF
C/US ETL Listed 4010961



Manufacturer information:
Levven Electronics Ltd.
9741 - 54 Ave NW
Edmonton, AB, Canada T6E 5J4

Proudly manufactured in 
Telephone: +1 (844)-553-8836
Email: info@levven.com
Website: www.levven.com